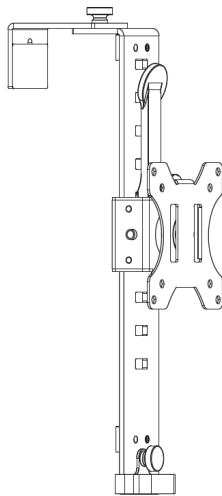




---

## Cubicle Monitor Mount

### Instruction Manual



**SKU: MOUNT-CUB1**



Scan the QR code with your mobile device or follow the link for helpful videos and specifications related to this product.

<https://vivo-us.com/products/mount-cub1>

---

GET IN TOUCH | Monday-Friday from 7:00am-7:00pm CST



help@vivo-us.com



www.vivo-us.com  
*Chat live with an agent!*

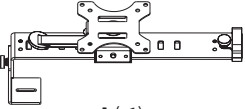


309-278-5303

# **WARNING!**

If you do not understand these directions, or if you have any doubts about the safety of the installation, please call a qualified technician. Check carefully to make sure there are no missing or defective parts. Improper installation may cause damage or serious injury. Do not use this product for any purpose that is not explicitly specified in this manual. Do not exceed weight capacity. We cannot be liable for damage or injury caused by improper mounting, incorrect assembly or inappropriate use.

## PACKAGE CONTENTS



**A** (x1)  
Mount



**B** (x2)  
Adhesive Pad



**M-A** (x4)  
M4x12



**M-B** (x4)  
M4x16



**M-C** (x4)  
M5x12



**M-D** (x4)  
M5x16



**M-E** (x4)  
D5 Washer



**M-F** (x4)  
Spacer

**NOTE:** SOME HARDWARE INCLUDED MAY NOT BE USED

## TOOLS NEEDED



Drill



Phillips  
Screwdriver

**DO NOT EXCEED WEIGHT CAPACITY.**

Failure to do so may result in serious injury.

**17.6lbs**  
**(7.98kg)**

# **WARNING: CHOKING HAZARD**

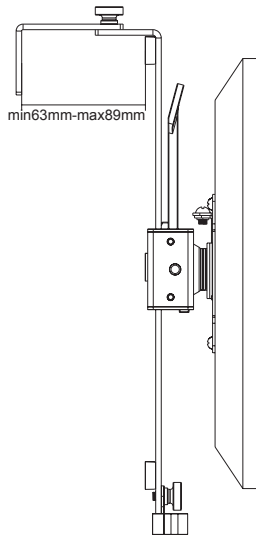
SMALL PARTS - NOT FOR CHILDREN UNDER 3 YEARS. ADULT SUPERVISION IS REQUIRED.

# ASSEMBLY STEPS

## STEP 1

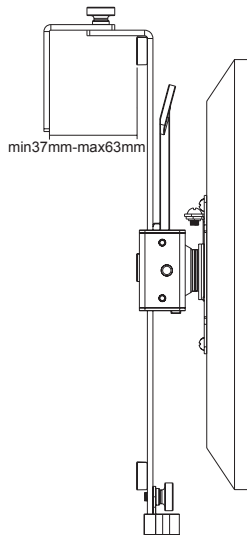
### OPTION A

For a cubicle wall with a thickness from 63mm to 89mm, make sure the L-Bracket on mount (A) has the short side facing out.

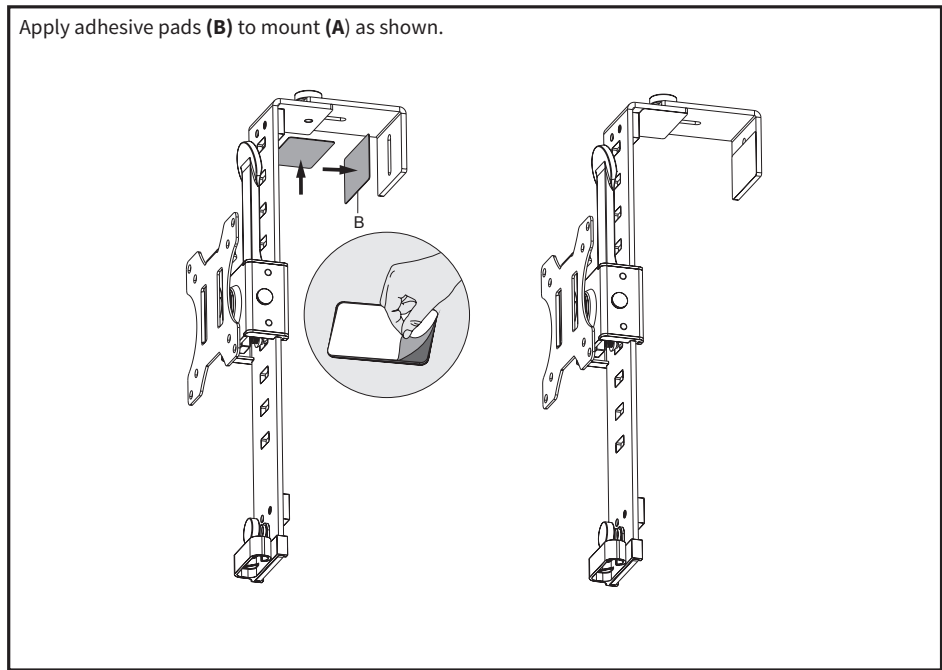


### OPTION B

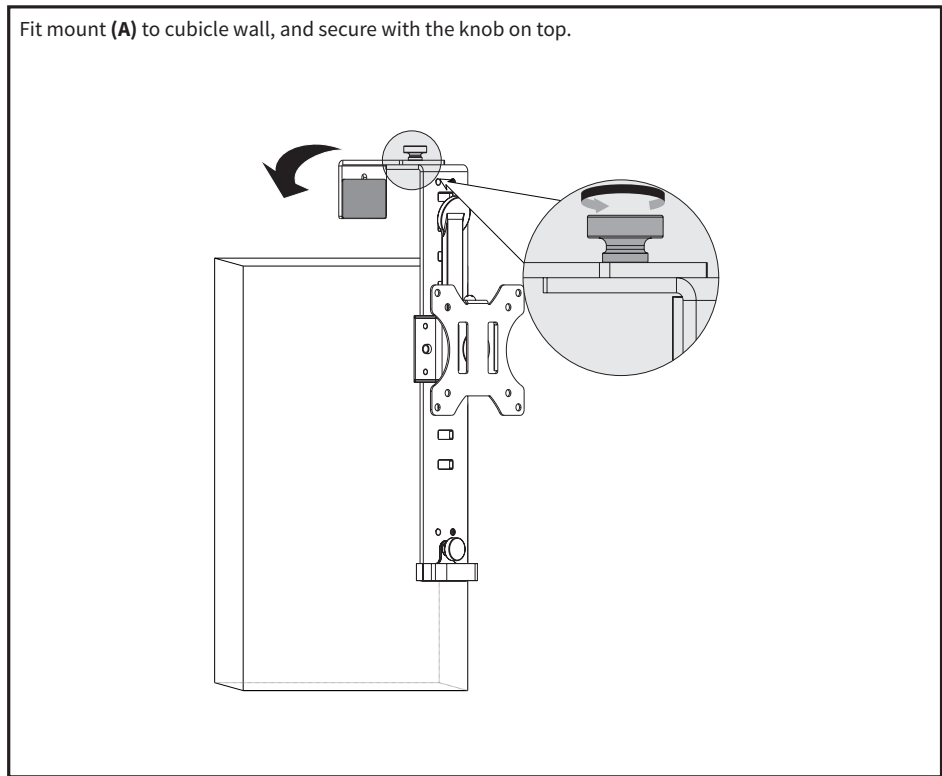
For a cubicle wall with a thickness from 37mm to 63mm, make sure the L-Bracket on mount (A) has the long side facing out.



## STEP 2

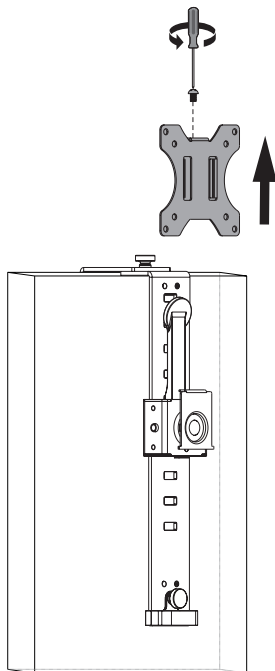


## STEP 3



## STEP 4

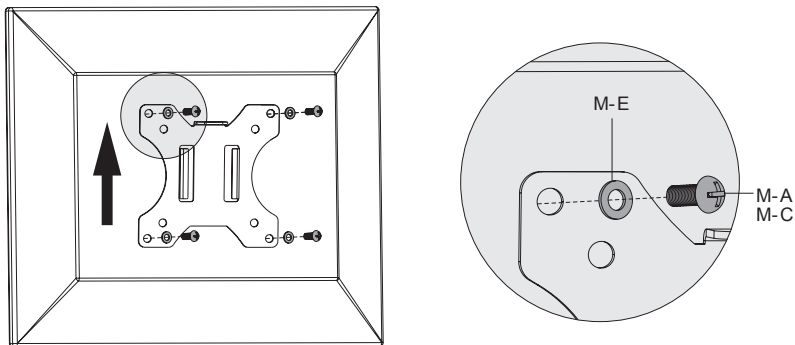
Remove the screw from the top of the VESA plate, and slide the VESA plate off of mount **(A)**.



## STEP 5

### OPTION A: Flat Back Monitor

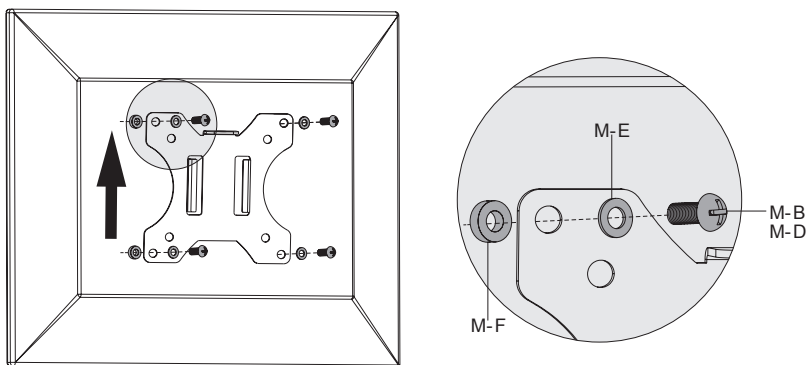
For flat back monitor, install VESA plate to monitor using screws **(M-A or M-C)** and washers **(M-E)**.



## STEP 5 (Continued)

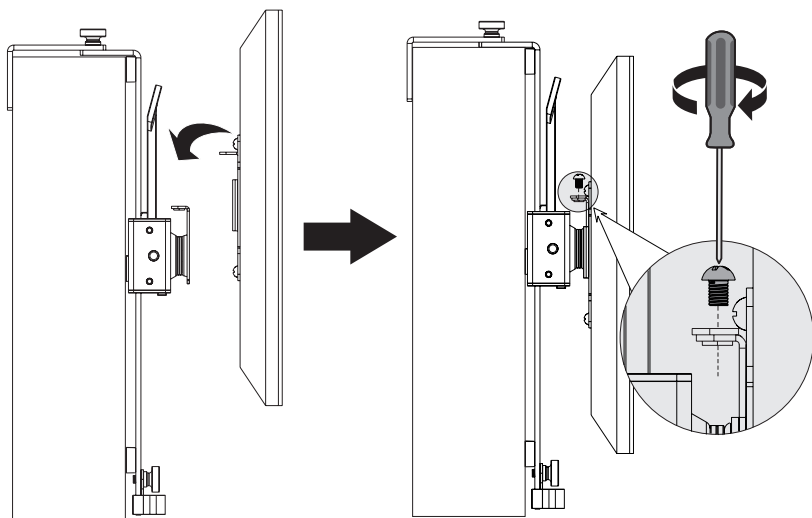
### OPTION B: Curved Back Monitor

For curved back monitor, install VESA plates to monitor using screws (**M-B** or **M-D**), washers (**M-E**), and spacers (**M-F**).



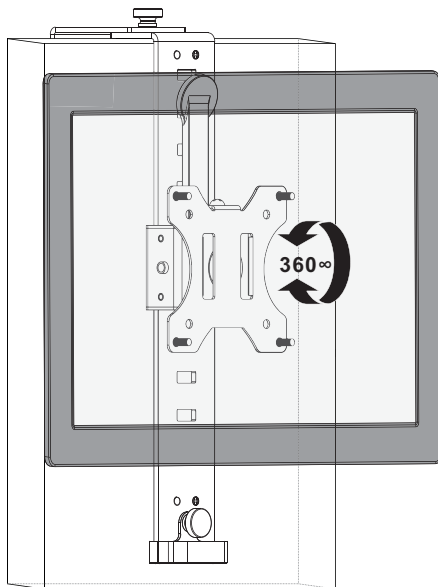
## STEP 6

Slide monitor onto mount (**A**) and secure with the previously removed screw.



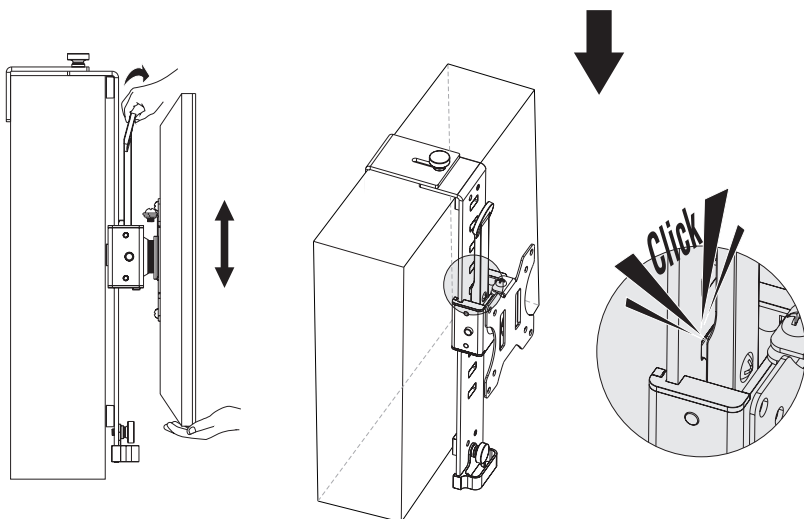
## STEP 7

Rotate monitor to desired position.



## STEP 8

To adjust monitor height, lift the monitor slightly and pull the lever behind the monitor, then raise or lower as desired.





Open **Monday - Friday 7:00am - 7:00pm** CST,

our dedicated support team can offer immediate assistance with rapid response times. If any parts are received damaged or defective, please contact us. We are happy to replace parts to ensure you have a fully functioning product.


 [help@vivo-us.com](mailto:help@vivo-us.com)

**AVG. RESPONSE TIME** (*within office hrs*): **1HR 8M**

- 23% within < 15m
- 38% within < 30m
- 61% within < 1hr
- 83% within < 2hr
- 92% within < 3hr

 [www.vivo-us.com](http://www.vivo-us.com)  
*Chat live with an agent!*

**AVG. RESOLUTION TIME** (*within office hrs*): **< 15 M**

 309-278-5303

**AVG. RESOLUTION TIME** (*within office hrs*): **5M 4S**